

Concord

TV Lift Cabinet

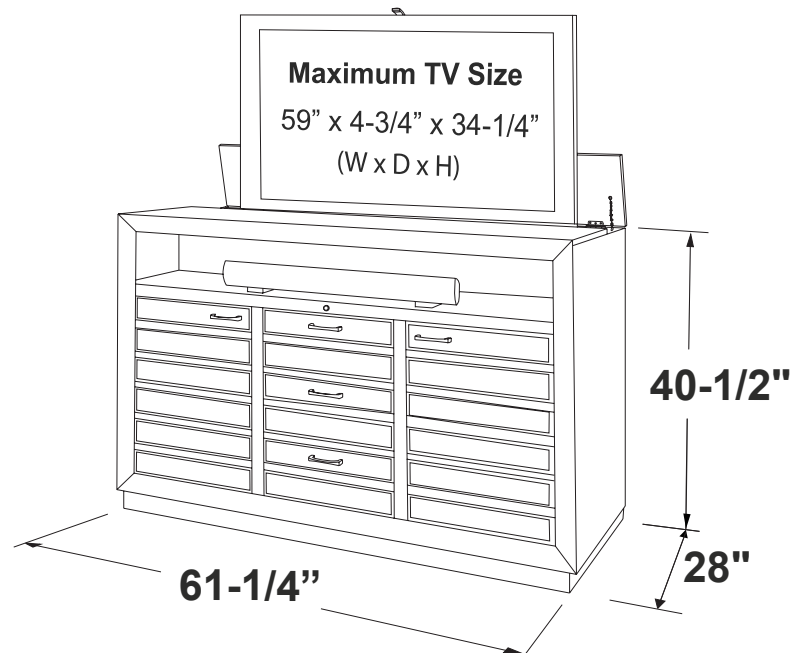
Cabinet Features:

- Made in the USA of Solid Maple Wood. Houses most 70" flat panel TV's on the factory pre-installed TV Lift.
- Espresso stain and scratch resistant topcoat.
- Built-in infrared system allowing you to operate your equipment without opening the doors.
- Large horizontal cubby can be used for equipment, surround sound speakers, and or decor.
- Four adjustable ventilated shelves,
- 3 working full depth drawers.
- Cord management cut-outs throughout.



Lift Features:

- Fully assembled & pre-installed.
- 1 year in home parts and labor warranty.
- Radio Frequency Remote.
- Universal TV mounting bracket & TV mounting hardware included.
- Heavy-duty rack and pinion drive system.
- Smooth and stable travel.
- Nearly silent operation.
- Welded steel construction.
- Built-in wire management.
- Patent Pending.



Infrared relay system provides a window from your handheld remotes to your TV and audio components even though they are concealed inside the cabinet. No programming required!