

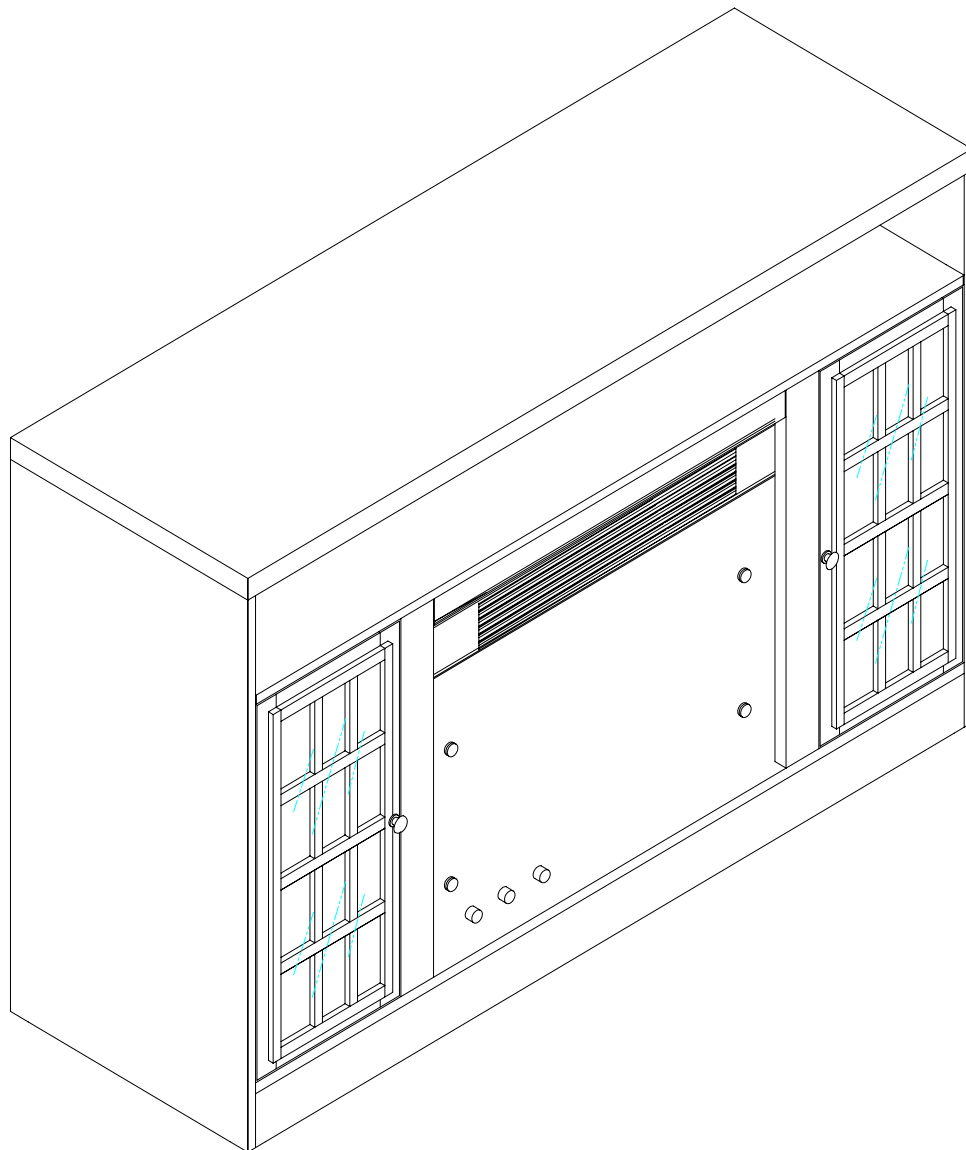
"NARITA" MEDIA CONSOLE FIREPLACE

FA9301-ESPRESSO

Assembly Instructions



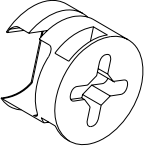
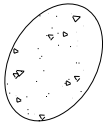
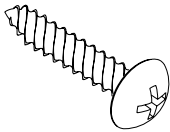
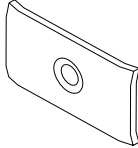
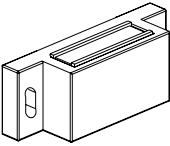
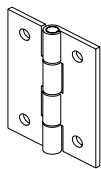
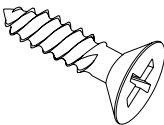
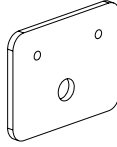
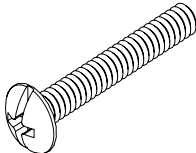
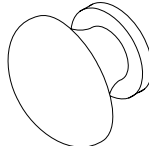
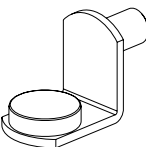
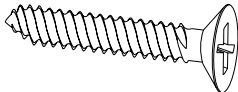
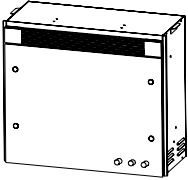


For assistance with assembly contact:
Southern Enterprises Inc.
Customer Service 1-800-633-5096
service@seidal.com
www.seidal.com



"NARITA" MEDIA CONSOLE FIREPLACE Parts List

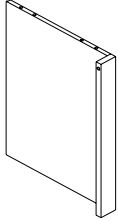
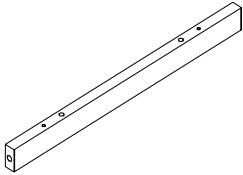
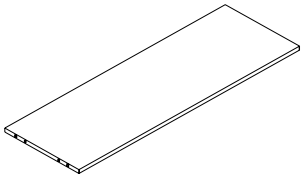
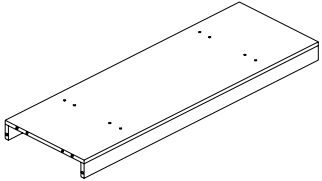

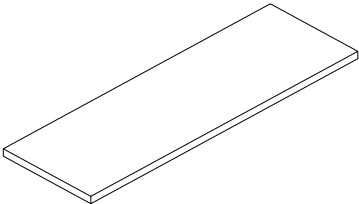
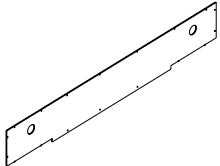

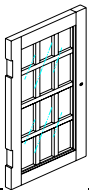
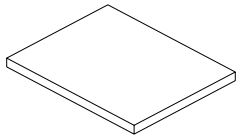
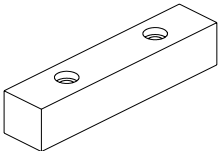
Please review all parts and hardware before disposing of any packaging. Call Customer Service if missing hardware. Do not return to store/retailer. Screws shown in actual size. Using a screw that is too long will cause damage. Before beginning assembly, separate each type of screw. Carefully study the screw diagrams below (SHOWN ACTUAL SIZE). You may receive extra hardware with your unit.

<p>A</p>  <p>CAM BOLT</p>	<p>Quantity of 24</p> <p>B</p>  <p>WOOD DOWEL</p> <p>Quantity of 24</p>
<p>C</p>  <p>CAM LOCK</p>	<p>Quantity of 24</p> <p>D</p>  <p>COVER</p> <p>Quantity of 16</p>
<p>E</p>  <p>ROUND HEAD SCREW</p>	<p>Quantity of 42</p> <p>F</p>  <p>SLICE OF IRON</p> <p>Quantity of 4</p>
<p>G</p>  <p>MAGNET LOCK</p>	<p>Quantity Of 2</p> <p>H</p>  <p>HINGE</p> <p>Quantity Of 4</p>
<p>I</p>  <p>SHORT FLAT HEAD SCREW</p>	<p>Quantity of 18</p> <p>J</p>  <p>MAGNET PLATE</p> <p>Quantity Of 2</p>
<p>K</p>  <p>LONG BOLT</p>	<p>Quantity of 2</p> <p>L</p>  <p>KNOB</p> <p>Quantity Of 2</p>
<p>M</p>  <p>SHELF HOLDER</p>	<p>Quantity of 8</p> <p>N</p>  <p>LONG FLAT HEAD SCREW</p> <p>Quantity of 4</p>
<p>O</p>  <p>FIREBOX SOLD IN A SEPARATE CARTON</p>	

"NARITA" MEDIA CONSOLE FIREPLACE

Parts List

Please review all parts and hardware before disposing of any packaging. Call Customer Service if missing hardware. Do not return to store/retailer. Screws shown in actual size. Using a screw that is too long will cause damage. Before beginning assembly, separate each type of screw. Carefully study the screw diagrams below (SHOWN ACTUAL SIZE). You may receive extra hardware with your unit.

<p>(1)</p>  <p>Quantity of 2</p> <p>VERTICAL PANEL (R&L)</p>	<p>(2)</p>  <p>Quantity of 1</p> <p>MIDDLE FRONT PANEL</p>
<p>(3)</p>  <p>Quantity of 1</p> <p>MIDDLE FIXED PANEL</p>	<p>(4)</p>  <p>Quantity of 1</p> <p>BOTTOM FRAME</p>
<p>(5)</p>  <p>Quantity of 2</p> <p>SIDE PANEL (R&L)</p>	<p>(6)</p>  <p>Quantity of 1</p> <p>TOP PANEL</p>
<p>(7)</p>  <p>Quantity of 1</p> <p>MIDDLE BACK PANEL</p>	<p>(8)</p>  <p>Quantity of 2</p> <p>SIDE BACK PANEL</p>
<p>(9)</p>  <p>Quantity of 2</p> <p>DOOR(R&L)</p>	<p>(10)</p>  <p>Quantity of 2</p> <p>SHELF PANEL</p>
<p>(11)</p>  <p>Quantity of 1</p> <p>WOOD HOLDER</p>	

Care and Cleaning Instructions:

Before using, wipe with a clean, dry cloth. Periodically apply furniture wax to renew the finish. Avoid rubbing or scratching the surface with rough or abrasive objects.

For replacement parts or questions, please Call Customer Service at 1-800-633-5096 Do not return product to store, please call Manufacturer for assistance, questions or Parts.

Assembly Tool Required
No.2 Phillips Screwdriver (Not Included)



"NARITA" MEDIA CONSOLE FIREPLACE Assembly Instructions

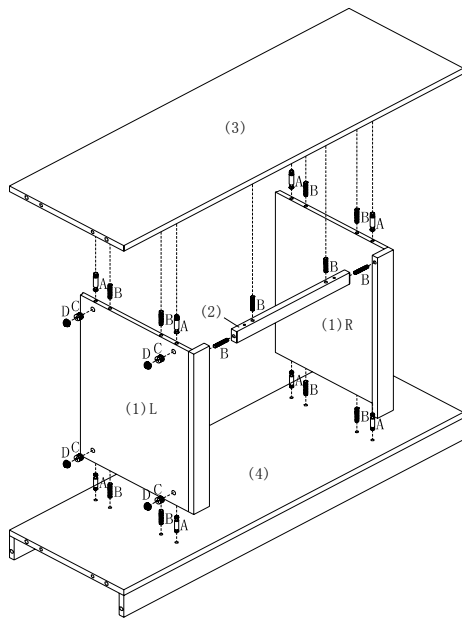


Figure 1

INSERT 8PCS CAM-BOLTS (A) AND 12PCS WOOD DOWELS (B) INTO PREDRILLED HOLES ON INSIDES OF MIDDLE FIXED PANEL (3), BOTTOM FRAME (4) AND MIDDLE FRONT PANEL (2), AND FIT INTO CORRESPONDING HOLES ON ENDS OF VERTICAL PANEL (R&L)(1). INSERT 8PCS CAM-LOCKS (A) INTO BIG HOLES ON INSIDE OF VERTICAL PANEL (R&L)(1), WITH SLOT FOR SCREWDRIVER FACING OUTWARD. ROTATE CAM-LOCKS (C) CLOCKWISE TO SECURE CAM-BOLTS (A). PUSH COVERS (D) INTO CAM-LOCKS (C). AS FIGURE 1 SHOWN.

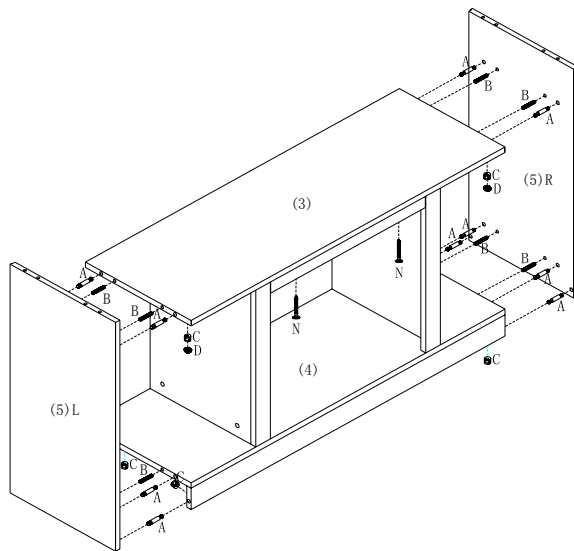


Figure 2

INSERT 12PCS CAM-BOLTS(A) AND 8PCS WOOD DOWELS(B) INTO PREDRILLED HOLES ON INSIDE OF SIDE PANEL (R&L) (5),AND FIT INTO CORRESPONDING HOLES ON ENDS OF ASSEMBLE UNIT,THEN INSERT 12PCS CAM-LOCK(C) INTO BIG HOLES ON INSIDE OF ASSEMBLE UNIT WITH SLOT FOR SCREWDRIVER FACING OUTWARD. ROTATE CAM-LOCKS (C) CLOCKWISE TO SECURE CAM-BOLTS (A). PUSH COVERS (D) INTO CAM-LOCKS (C). THEN USE LOGN FLAT HEAD SCREW(N) TIGHTEN MIDDLE FRONT PANEL (2) AS FIGURE 2 SHOWN.

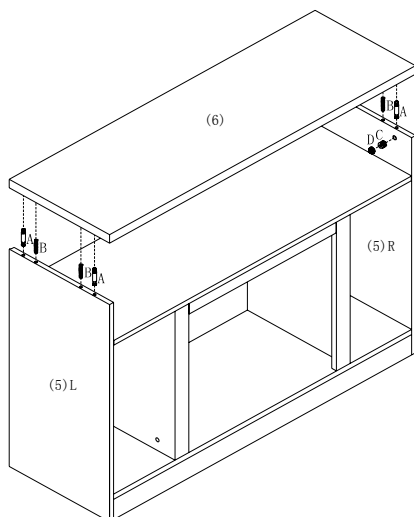


Figure 3

PUT THE TOP PANEL (6) ON THE UNIT, INSERT 4PCS CAM-BOLTS(A) AND 4PCS WOOD DOWEL(B) INTO PREDRILLED HOLES OF SIDE TOP PANEL(6),AND FIT INTO CORRESPONDING HOLES ON INSIDE OF SIDE PANEL(R&L) (5),THEN INSERT 4PCS CAM-LOCK(C) INTO BIG HOLES ON INSIDE OF SIDE PANEL(R&L) (5) WITH SLOT FOR SCREWDRIVER FACING OUTWARD ROTATE CAM-LOCKS(C) CLOCKWISE TO SECURE CAM-LOCKLS, AS FIGURE 3 SHOWN.

"NARITA" MEDIA CONSOLE FIREPLACE Assembly Instructions

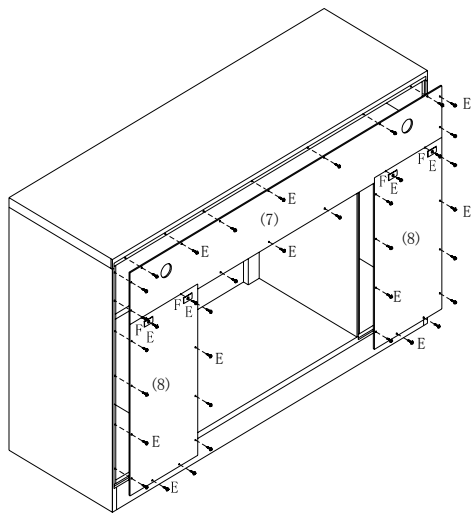


Figure 4

USE 38PCS ROUND HEAD SCREW(E) AND 4PCS SLICE OF IRON(F) TO ASSMELBE MIDDLE BACK PANEL(7) AND SIED BACK PANEL(8) TO THE UNIT,AS AS FIGURE 4 SHOWN.

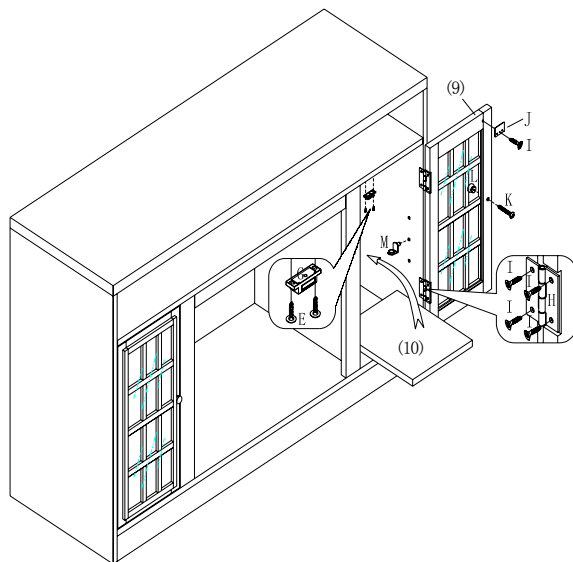


Figure 5

USE 4PCS ROUND HEAD SCREW TO SECURE MAGNET LOCK (G) ON UNIT AS FIGURE 5 SHOWN.
ATTACH MAGNET PLATE (J) ON THE DOOR(R&L) BY USING 2PCS SHORT FLAT HEAD SCREW.
ATTACH KNOB(L) ON THE DOOR(R&L) BY USING 2PCS LONG BOLTS (K).
USE 4PCS HING(H) AND 16PCS SHORT FLAT HEAD SCREW (I) TO ASSEMBLE DOOR(R&L).
INSERT 8PCS SHELF HOLDRE(M) INTO CORRESPONDING HOLES OF MIDDLE FIXED PANEL(3) ,THEN PUT THE SHELF PANEL ON IT ,AS FIGURE 5 SHOWN.

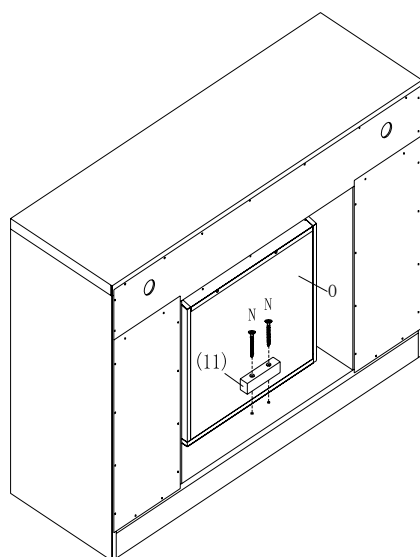


Figure 6

INSERT THE FIREBOX FROM THE BACK OF FIREPLACE. MAKE SURE FIREBOX IS PRESSED TIGHTLY AGAINST THE ASSEMBLED UNIT. ATTACH FIXED WOOD (E) ON THE INSIDES OF FIREBOX. INSERT 2PCS FLAT HEAD LONG SCREWS (N) THROUGH PREDRILLED HOLES ON FIXED WOOD (11) AND TIGHTEN INTO CORRESPONDING HOLES ON BACK OF FIREBOX. AS FIGURE 7 SHOWN.



Customer Service 1-800-633-5096

service@seidal.com

Southern Enterprises, Inc.

2915 Merrell Road

Dallas, Texas 75229

FA930100TX - Parts Replacement Form

Customer Information

Name _____

Address _____

City/State/Zip Code _____

Phone Number _____

Please indicate where you purchased this item: Store/Website/Catalog

Please indicate color/size/style number:

Style No	Parts Letter	Parts Description	Quantity Needed
_____	_____	_____	_____
_____	_____	_____	_____
_____	_____	_____	_____

Missing or damaged hardware and/or parts will be replaced free of charge. We do not sell parts. Southern Enterprises Inc. will provide replacement parts for only those items purchased within the last 9 months. If this product has not been purchased from our retail affiliates (within 9 months), we are under no obligation to provide parts or replacement merchandise. Parts will not be available for items arriving fully assembled. Parts will be sent if available from SEI. The fireplace mantel will fit both gel fuel and electric firebox inserts. Depending on the insert ordered only one insert will be included.

WARNING: positioning anything on top of your fireplace mantel poses a degree of risk especially in the case of electronic appliances or equipment. If you elect to display a television we recommend that it be a slim profile flat-screen and that it be positioned away from the front edge of the mantel where there is a degree of heat generated from the firebox. You may also want to tether your flat screen tv to the wall behind it for added safety and security. Manufacturer assumes no responsibility for items placed on top of a fireplace mantel.



CAUTION

The top shelf of this cabinet is intended for plasma/LCD televisions having a Max TV size is 50" flat screen and Max weight limit is 175 lb.

The top shelf is NOT INTENDED for tube televisions.

Each center shelf should not be loaded with more than 20 lb. Each side shelf should not be loaded with more than 15 lb.

DO NOT EXCEED RECOMMENDED LOAD. Use with products heavier than the maximum sizes and weights indicated may result in instability causing possible injury.

This unit contains a permanent warning sticker located on under side of top shelf or inside drawer.

Do not allow children under 16 years to move the cart.

Model: FA930100TX
"NARITA" MEDIA CONSOLE FIREPLACE
Southern Enterprises, Inc
1970 Crown Drive
Manufacture Date: